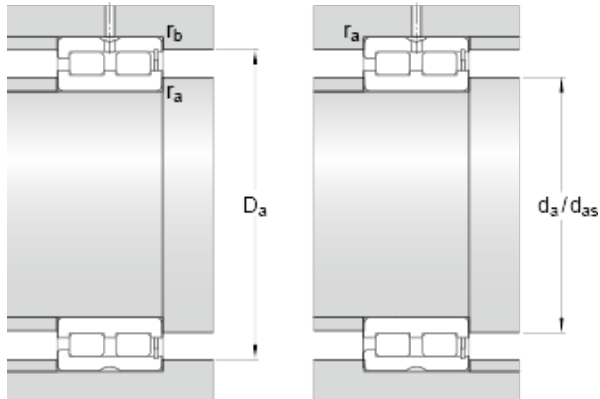




GF BEARING-SINGAPORE LTD.



190 mm x 240 mm x 50 mm skf NNCF 4838 CV
Double row full complement cylindrical roller bearings

Bearing No. NNCF 4838 CV

d	190 mm
D	240 mm
B	50 mm
d ₁	209 mm
D ₁	219 mm
b ₁	7 mm
K	4 mm
s max.	4 mm
r _{1,2} min.	1.5 mm
r _{3,4} min.	1.5 mm
d _a min.	197 mm
d _{as}	203 mm
D _a max.	233 mm
r _a max.	1.5 mm
r _b max.	1.5 mm
Basic dynamic load rating C	358 kN
Basic static load rating C ₀	750 kN
Fatigue load limit P _u	76.5 kN
Reference speed	1100 r/min
Limiting speed	1400 r/min
Calculation factor k _r	0.2
Mass bearing	5.5 kg

NNCF 4838 CV Bearing 2D drawings and 3D CAD models