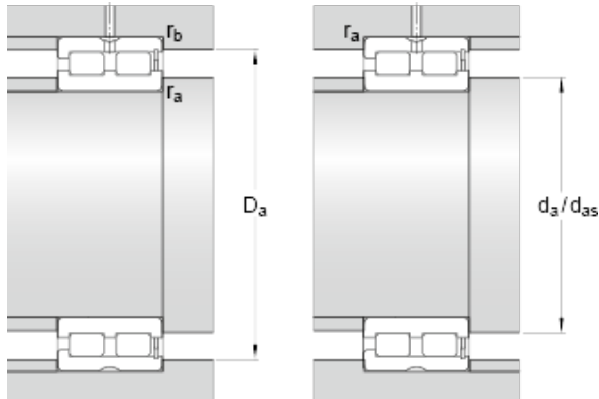




## GF BEARING-SINGAPORE LTD.



65 mm x 100 mm x 46 mm skf NNCF 5013 CV  
Double row full complement cylindrical roller bearings

Bearing No. NNCF 5013 CV

d	65 mm
D	100 mm
B	46 mm
d <sub>1</sub>	78 mm
D <sub>1</sub>	88.3 mm
b <sub>1</sub>	4.5 mm
K	3.5 mm
s max.	1.5 mm
r <sub>1,2</sub> min.	1.1 mm
r <sub>3,4</sub> min.	0.6 mm
d <sub>a</sub> min.	72 mm
d <sub>as</sub>	75 mm
D <sub>a</sub> max.	94 mm
r <sub>a</sub> max.	1 mm
r <sub>b</sub> max.	0.5 mm
Basic dynamic load rating C	209 kN
Basic static load rating C <sub>0</sub>	325 kN
Fatigue load limit P <sub>u</sub>	40 kN
Reference speed	3000 r/min
Limiting speed	3800 r/min
Calculation factor k <sub>r</sub>	0.5
Mass bearing	1.32 kg

NNCF 5013 CV Bearing 2D drawings and 3D CAD models