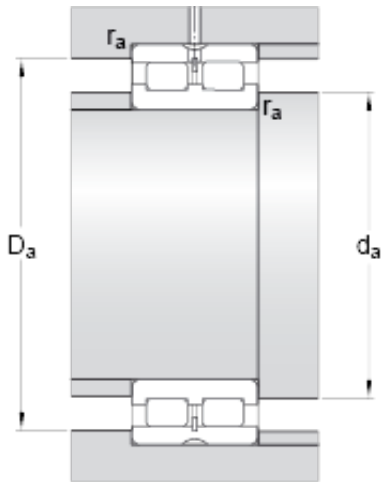




## GF BEARING-SINGAPORE LTD.



320 mm x 440 mm x 118 mm skf NNCL 4964  
CV Double row full complement cylindrical roller  
bearings

Bearing No. NNCL 4964 CV

d	320 mm
D	440 mm
B	118 mm
d <sub>1</sub>	368 mm
E	412.27 mm
b <sub>1</sub>	9.4 mm
K	5 mm
s max.	6 mm
r <sub>1,2</sub> min.	3 mm
d <sub>a</sub> min.	336 mm
D <sub>a</sub> max.	425 mm
r <sub>a</sub> max.	2.5 mm
Basic dynamic load rating C	1760 kN
Basic static load rating C <sub>0</sub>	4050 kN
Fatigue load limit P <sub>u</sub>	375 kN
Reference speed	600 r/min
Limiting speed	750 r/min
Calculation factor k <sub>r</sub>	0.25
Mass bearing	55 kg

NNCL 4964 CV Bearing 2D drawings and 3D CAD  
models