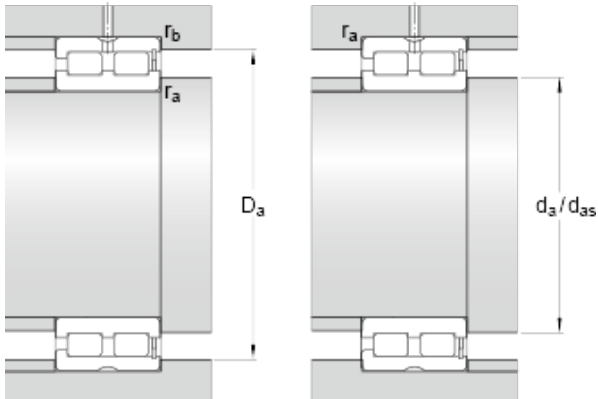




## GF BEARING-SINGAPORE LTD.



35 mm x 62 mm x 36 mm skf NNCF 5007 CV  
Double row full complement cylindrical roller bearings

Bearing No. NNCF 5007 CV

d	35 mm
D	62 mm
B	36 mm
d <sub>1</sub>	45 mm
D <sub>1</sub>	51.5 mm
b <sub>1</sub>	4.5 mm
K	3 mm
s max.	1.5 mm
r <sub>1,2</sub> min.	1 mm
r <sub>3,4</sub> min.	0.3 mm
d <sub>a</sub> min.	40.2 mm
d <sub>as</sub>	42.6 mm
D <sub>a</sub> max.	57.5 mm
r <sub>a</sub> max.	1 mm
r <sub>b</sub> max.	0.3 mm
Basic dynamic load rating C	89.7 kN
Basic static load rating C <sub>0</sub>	112 kN
Fatigue load limit P <sub>u</sub>	12.9 kN
Reference speed	5300 r/min
Limiting speed	6700 r/min
Calculation factor k <sub>r</sub>	0.5
Mass bearing	0.46 kg

NNCF 5007 CV Bearing 2D drawings and 3D CAD models