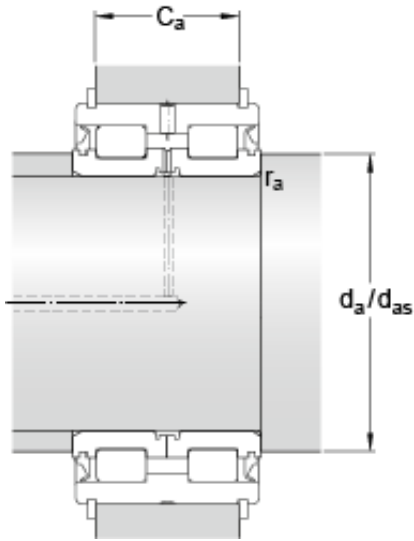




## GF BEARING-SINGAPORE LTD.



NNF 5026 B-2LS Bearing 2D drawings and 3D CAD models

130 mm x 200 mm x 95 mm skf NNF 5026  
B-2LS Double row full complement cylindrical  
roller bearings

Bearing No. NNF 5026 B-2LS

d	130 mm
D	200 mm
B	95 mm
C	94 mm
d <sub>1</sub>	155 mm
D <sub>3</sub>	196 mm
C <sub>1</sub>	83.2 mm
+	0.2 mm
C <sub>2</sub>	5.4 mm
b	4.2 mm
b <sub>1</sub>	7 mm
K	4 mm
r min.	1.8 mm
r <sub>3,4</sub> min.	0.6 mm
d <sub>a</sub> min.	137 mm
d <sub>as</sub>	150 mm
C <sub>a1</sub>	77 mm
-	0.2 mm
C <sub>a2</sub>	75 mm
-	0.2 mm
r <sub>a</sub> max.	1.5 mm
Basic dynamic load rating C	616 kN
Basic static load rating C <sub>0</sub>	1040 kN
Fatigue load limit P <sub>u</sub>	120 kN
Limiting speed	630 r/min



## GF BEARING-SINGAPORE LTD.

Calculation factor $k_r$	0.4
Mass bearing	10.5 kg
Snap ring Seeger	SW 200
Snap ring in accordance with DIN 471	200x4