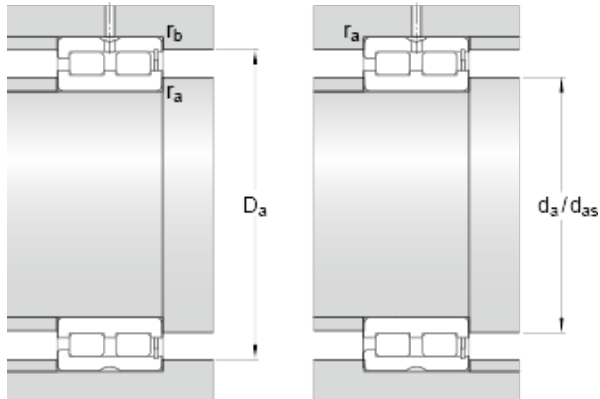




GF BEARING-SINGAPORE LTD.



260 mm x 400 mm x 190 mm skf NNCF 5052
CV Double row full complement cylindrical roller
bearings

Bearing No. NNCF 5052 CV

| | |
|---|-----------|
| d | 260 mm |
| D | 400 mm |
| B | 190 mm |
| d ₁ | 302.8 mm |
| D ₁ | 361.7 mm |
| b ₁ | 9.4 mm |
| K | 5 mm |
| s max. | 10 mm |
| r _{1,2} min. | 4 mm |
| r _{3,4} min. | 4 mm |
| d _a min. | 278 mm |
| d _{as} | 291 mm |
| D _a max. | 384 mm |
| r _a max. | 3 mm |
| r _b max. | 3 mm |
| Basic dynamic load rating C | 2860 kN |
| Basic static load rating C ₀ | 5100 kN |
| Fatigue load limit P _u | 500 kN |
| Reference speed | 700 r/min |
| Limiting speed | 900 r/min |
| Calculation factor k _r | 0.5 |
| Mass bearing | 85.5 kg |

NNCF 5052 CV Bearing 2D drawings and 3D CAD
models