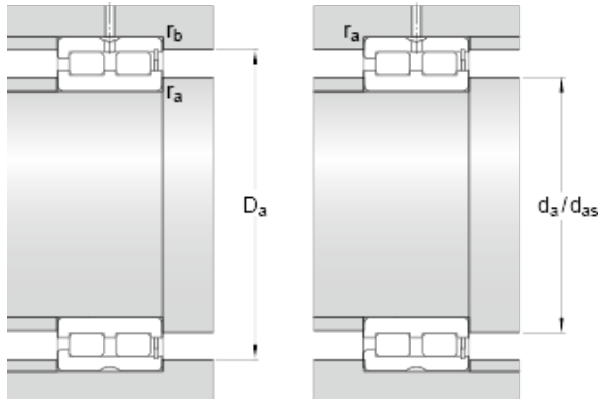




GF BEARING-SINGAPORE LTD.



280 mm x 350 mm x 69 mm skf NNCF 4856 CV
Double row full complement cylindrical roller bearings

Bearing No. NNCF 4856 CV

d	280 mm
D	350 mm
B	69 mm
d ₁	308 mm
D ₁	326 mm
b ₁	8 mm
K	4 mm
s max.	4 mm
r _{1,2} min.	2 mm
r _{3,4} min.	2 mm
d _a min.	290 mm
d _{as}	299 mm
D _a max.	341 mm
r _a max.	2 mm
r _b max.	2 mm
Basic dynamic load rating C	737 kN
Basic static load rating C ₀	1860 kN
Fatigue load limit P _u	173 kN
Reference speed	750 r/min
Limiting speed	950 r/min
Calculation factor k _r	0.2
Mass bearing	15.8 kg

NNCF 4856 CV Bearing 2D drawings and 3D CAD models