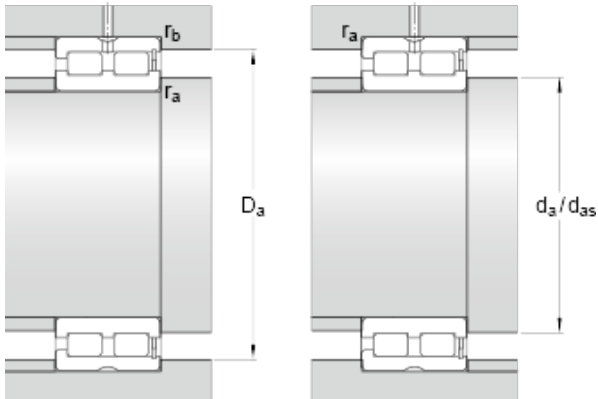




GF BEARING-SINGAPORE LTD.



120 mm x 165 mm x 45 mm skf NNCF 4924 CV
Double row full complement cylindrical roller bearings

Bearing No. NNCF 4924 CV

d	120 mm
D	165 mm
B	45 mm
d ₁	139 mm
D ₁	148 mm
b ₁	6 mm
K	3.5 mm
s max.	3 mm
r _{1,2} min.	1.1 mm
r _{3,4} min.	1.1 mm
d _a min.	126 mm
d _{as}	136 mm
D _a max.	159 mm
r _a max.	1 mm
r _b max.	1 mm
Basic dynamic load rating C	242 kN
Basic static load rating C ₀	480 kN
Fatigue load limit P _u	53 kN
Reference speed	1700 r/min
Limiting speed	2200 r/min
Calculation factor k _r	0.25
Mass bearing	2.9 kg

NNCF 4924 CV Bearing 2D drawings and 3D CAD models