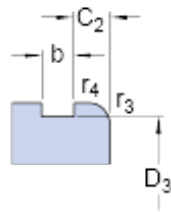
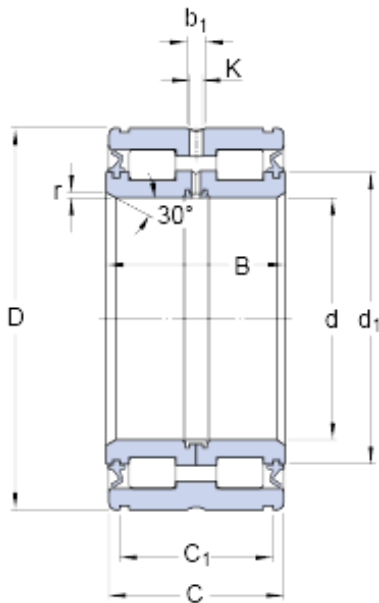




GF BEARING-SINGAPORE LTD.



55 mm x 90 mm x 46 mm skf NNF 5011
ADB-2LSV Double row full complement
cylindrical roller bearings

Bearing No. NNF 5011 ADB-2LSV

NNF 5011 ADB-2LSV Bearing 2D drawings and 3D
CAD models

Size	90x55x46 mm
Bore Diameter	90 mm
Outer Diameter	55 mm
Width	46 mm
d	55 mm
D	90 mm
B	46 mm
C	45 mm
d ₁	68.6 mm
D ₃	87.4 mm
C ₁	40.2 mm
Tolerance for distance C1 - +	0.2 mm
C ₂	2.4 mm
b	3.2 mm
r - min.	1 mm
r _{3,4} - min.	0.6 mm
d _a - min.	60 mm
d _{as}	66.1 mm
C _{a1}	35 mm
Ca applies for SW snap rings -	0.2 mm
C _{a2}	34 mm
Ca applies for snap rings in	0.2 mm



GF BEARING-SINGAPORE LTD.

accordance with DIN 471 -	
r_a - max.	0.6 mm
Basic dynamic load rating - C	128 kN
Basic static load rating - C_0	193 kN
Fatigue load limit - P_u	22.8 kN
Limiting speed	1500 r/min
Calculation factor - k_r	0.4
Mass bearing	1.18 kg
Snap ring Seeger	SW 90
Category	Cylindrical Roller Bearings
Inventory	0.0
Manufacturer Name	SKF
Minimum Buy Quantity	N/A
Weight / Kilogram	1.174
EAN	7316572523469
Product Group	B04144
Bore Profile	Straight
Cage Material	None
Precision Class	RBEC 1 ISO P0
Number of Rows of Rollers	Double Row
Separable	No
Rolling Element	Cylindrical Roller Bearing
Profile	Complete with Outer and Inner Ring
Snap Ring	Yes
Internal Clearance	C0-Medium
Retainer	No
Relubricatable	Yes
Inch - Metric	Metric
Other Features	Full Complement 3 Rib Inner Ring 1 Rib Outer Ring Seal on Both Sides



GF BEARING-SINGAPORE LTD.

Long Description	55MM Bore; Straight Bore Profile; 90MM Outside Diameter; 46MM Width; RBEC 1 ISO P0; Double Row; Not Separable; Snap Ring; Relubricatable; C0-Medium Internal Clearance; No Retainer
Category	Cylindrical Roller Bearing
UNSPSC	31171547
Harmonized Tariff Code	8482.50.00.00
Noun	Bearing
Manufacturer URL	http://www.skf.com
Manufacturer Item Number	NNF 5011 ADB-2LSV
Weight / LBS	2.586
Outside Diameter	3.543 Inch 90 Millimeter
Bore	2.165 Inch 55 Millimeter
Width	1.811 Inch 46 Millimeter
d_1	68.6 mm
D_3	87.4 mm
C_1	40.2 mm
+	0.2 mm
C_2	2.4 mm
b_1	8.5 mm
K	4.5 mm
r min.	1 mm
$r_{3,4}$ min.	0.6 mm
d_a min.	60 mm
d_{as}	66.1 mm
C_{a1}	35 mm
-	0.2 mm
C_{a2}	34 mm
-	0.2 mm
r_a max.	0.6 mm



GF BEARING-SINGAPORE LTD.

Basic dynamic load rating C	128 kN
Basic static load rating C_0	193 kN
Fatigue load limit P_u	22.8 kN
Calculation factor k_f	0.4
Snap ring in accordance with DIN 471	90x3