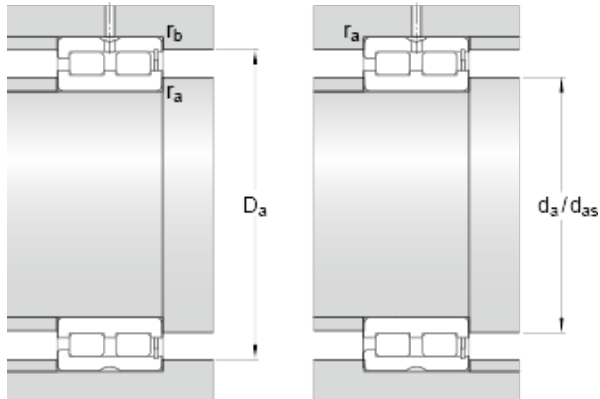




GF BEARING-SINGAPORE LTD.



360 mm x 480 mm x 118 mm skf NNCF 4972
CV Double row full complement cylindrical roller
bearings

Bearing No. NNCF 4972 CV

d	360 mm
D	480 mm
B	118 mm
d ₁	404 mm
D ₁	437 mm
b ₁	9.4 mm
K	5 mm
s max.	6 mm
r _{1,2} min.	3 mm
r _{3,4} min.	3 mm
d _a min.	375 mm
d _{as}	390 mm
D _a max.	464 mm
r _a max.	2.5 mm
r _b max.	2.5 mm
Basic dynamic load rating C	1830 kN
Basic static load rating C ₀	4500 kN
Fatigue load limit P _u	405 kN
Reference speed	530 r/min
Limiting speed	670 r/min
Calculation factor k _r	0.25
Mass bearing	61.5 kg

NNCF 4972 CV Bearing 2D drawings and 3D CAD
models