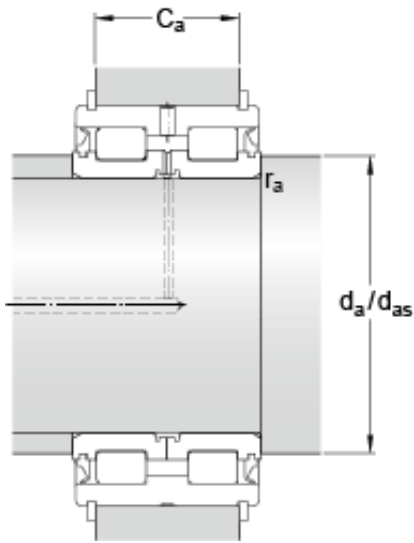




## GF BEARING-SINGAPORE LTD.



NNF 5024 B-2LS Bearing 2D drawings and 3D CAD models

120 mm x 180 mm x 80 mm skf NNF 5024  
B-2LS Double row full complement cylindrical  
roller bearings

Bearing No. NNF 5024 B-2LS

d	120 mm
D	180 mm
B	80 mm
C	79 mm
d <sub>1</sub>	141.5 mm
D <sub>3</sub>	176 mm
C <sub>1</sub>	71.2 mm
+	0.2 mm
C <sub>2</sub>	3.9 mm
b	4.2 mm
b <sub>1</sub>	6 mm
K	3.5 mm
r min.	1.8 mm
r <sub>3,4</sub> min.	0.6 mm
d <sub>a</sub> min.	127 mm
d <sub>as</sub>	138 mm
C <sub>a1</sub>	65 mm
-	0.2 mm
C <sub>a2</sub>	63 mm
-	0.2 mm
r <sub>a</sub> max.	1.5 mm
Basic dynamic load rating C	429 kN
Basic static load rating C <sub>0</sub>	750 kN
Fatigue load limit P <sub>u</sub>	86.5 kN
Limiting speed	700 r/min



## GF BEARING-SINGAPORE LTD.

Calculation factor $k_r$	0.4
Mass bearing	6.9 kg
Snap ring Seeger	SW 180
Snap ring in accordance with DIN 471	180x4