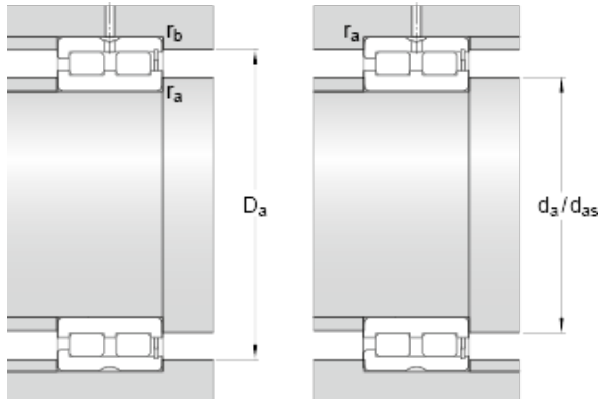




GF BEARING-SINGAPORE LTD.



170 mm x 215 mm x 45 mm skf NNCF 4834 CV
Double row full complement cylindrical roller bearings

Bearing No. NNCF 4834 CV

d	170 mm
D	215 mm
B	45 mm
d ₁	187 mm
D ₁	196 mm
b ₁	7 mm
K	4 mm
s max.	3 mm
r _{1,2} min.	1.1 mm
r _{3,4} min.	1.1 mm
d _a min.	176 mm
d _{as}	182 mm
D _a max.	209 mm
r _a max.	1 mm
r _b max.	1 mm
Basic dynamic load rating C	286 kN
Basic static load rating C ₀	655 kN
Fatigue load limit P _u	65.5 kN
Reference speed	1300 r/min
Limiting speed	1600 r/min
Calculation factor k _r	0.2
Mass bearing	4 kg

NNCF 4834 CV Bearing 2D drawings and 3D CAD models