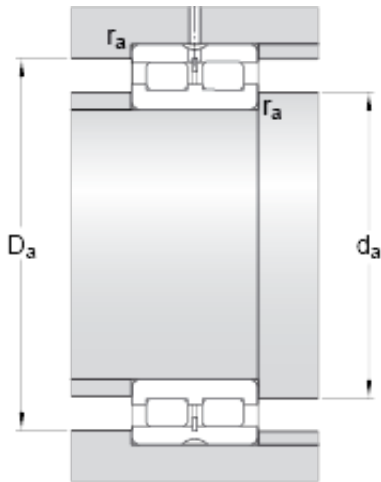




GF BEARING-SINGAPORE LTD.



300 mm x 380 mm x 80 mm skf NNCL 4860 CV
Double row full complement cylindrical roller
bearings

Bearing No. NNCL 4860 CV

d	300 mm
D	380 mm
B	80 mm
d ₁	330 mm
E	356.7 mm
b ₁	9.4 mm
K	5 mm
s max.	6 mm
r _{1,2} min.	2.1 mm
d _a min.	310 mm
D _a max.	370 mm
r _a max.	2 mm
Basic dynamic load rating C	858 kN
Basic static load rating C ₀	2120 kN
Fatigue load limit P _u	196 kN
Reference speed	700 r/min
Limiting speed	850 r/min
Calculation factor k _r	0.2
Mass bearing	22 kg

NNCL 4860 CV Bearing 2D drawings and 3D CAD
models