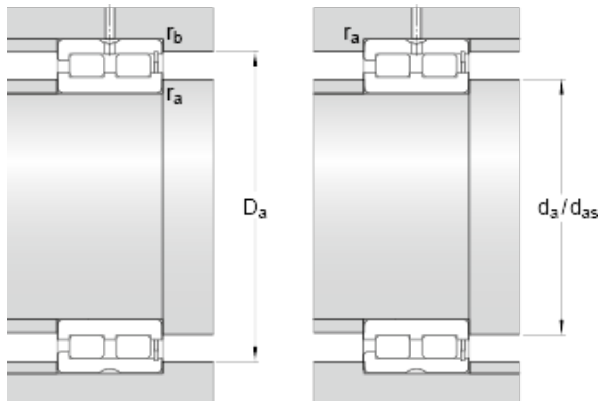




GF BEARING-SINGAPORE LTD.



70 mm x 110 mm x 54 mm skf NNCF 5014 CV
Double row full complement cylindrical roller bearings

Bearing No. NNCF 5014 CV

d	70 mm
D	110 mm
B	54 mm
d ₁	81.5 mm
D ₁	95 mm
b ₁	5 mm
K	3.5 mm
s max.	3 mm
r _{1,2} min.	1.1 mm
r _{3,4} min.	0.6 mm
d _a min.	76 mm
d _{as}	79 mm
D _a max.	105 mm
r _a max.	1 mm
r _b max.	0.5 mm
Basic dynamic load rating C	238 kN
Basic static load rating C ₀	345 kN
Fatigue load limit P _u	45 kN
Reference speed	2800 r/min
Limiting speed	3600 r/min
Calculation factor k _r	0.5
Mass bearing	1.85 kg

NNCF 5014 CV Bearing 2D drawings and 3D CAD models