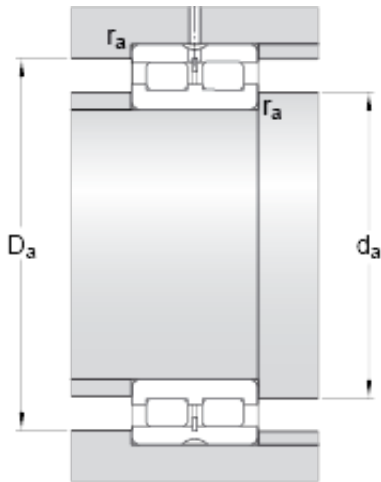




## GF BEARING-SINGAPORE LTD.



NNCL 4936 CV Bearing 2D drawings and 3D CAD models

180 mm x 250 mm x 69 mm skf NNCL 4936 CV  
Double row full complement cylindrical roller bearings

Bearing No. NNCL 4936 CV

|   |            |
|---|------------|
| d                                       | 180 mm     |
| D                                       | 250 mm     |
| B                                       | 69 mm      |
| d <sub>1</sub>                          | 206 mm     |
| E                                       | 230.5 mm   |
| b <sub>1</sub>                          | 7 mm       |
| K                                       | 4 mm       |
| s max.                                  | 4 mm       |
| r <sub>1,2</sub> min.                   | 2 mm       |
| d <sub>a</sub> min.                     | 190 mm     |
| D <sub>a</sub> max.                     | 240 mm     |
| r <sub>a</sub> max.                     | 2 mm       |
| Basic dynamic load rating C             | 594 kN     |
| Basic static load rating C <sub>0</sub> | 1220 kN    |
| Fatigue load limit P <sub>u</sub>       | 127 kN     |
| Reference speed                         | 1100 r/min |
| Limiting speed                          | 1400 r/min |
| Calculation factor k <sub>r</sub>       | 0.25       |
| Mass bearing                            | 10.5 kg    |