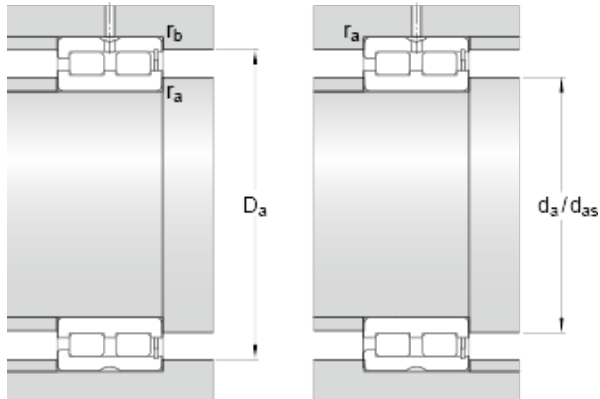




GF BEARING-SINGAPORE LTD.



240 mm x 360 mm x 160 mm skf NNCF 5048
CV Double row full complement cylindrical roller
bearings

Bearing No. NNCF 5048 CV

d	240 mm
D	360 mm
B	160 mm
d ₁	276.7 mm
D ₁	323.5 mm
b ₁	9.4 mm
K	5 mm
s max.	9 mm
r _{1,2} min.	3 mm
r _{3,4} min.	3 mm
d _a min.	256 mm
d _{as}	267 mm
D _a max.	347 mm
r _a max.	2.5 mm
r _b max.	2.5 mm
Basic dynamic load rating C	2120 kN
Basic static load rating C ₀	3900 kN
Fatigue load limit P _u	400 kN
Reference speed	800 r/min
Limiting speed	1000 r/min
Calculation factor k _r	0.5
Mass bearing	56 kg

NNCF 5048 CV Bearing 2D drawings and 3D CAD
models