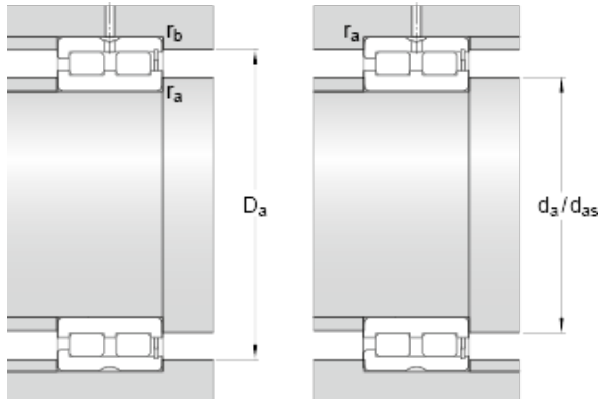




GF BEARING-SINGAPORE LTD.



60 mm x 85 mm x 25 mm skf NNCF 4912 CV
Double row full complement cylindrical roller bearings

Bearing No. NNCF 4912 CV

d	60 mm
D	85 mm
B	25 mm
d ₁	70.5 mm
D ₁	73.5 mm
b ₁	4.5 mm
K	3.5 mm
s max.	1 mm
r _{1,2} min.	1 mm
r _{3,4} min.	1 mm
d _a min.	64.7 mm
d _{as}	67.6 mm
D _a max.	80.5 mm
r _a max.	1 mm
r _b max.	1 mm
Basic dynamic load rating C	78.1 kN
Basic static load rating C ₀	137 kN
Fatigue load limit P _u	14.3 kN
Reference speed	3600 r/min
Limiting speed	4500 r/min
Calculation factor k _r	0.25
Mass bearing	0.48 kg

NNCF 4912 CV Bearing 2D drawings and 3D CAD models