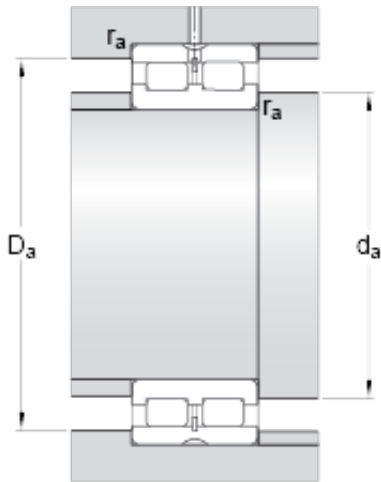




## GF BEARING-SINGAPORE LTD.



150 mm x 210 mm x 60 mm skf NNCL 4930 CV  
Double row full complement cylindrical roller  
bearings

Bearing No. NNCL 4930 CV

d	150 mm
D	210 mm
B	60 mm
d <sub>1</sub>	171.5 mm
E	192.77 mm
b <sub>1</sub>	7 mm
K	4 mm
s max.	4 mm
r <sub>1,2</sub> min.	2 mm
d <sub>a</sub> min.	159 mm
D <sub>a</sub> max.	201 mm
r <sub>a</sub> max.	2 mm
Basic dynamic load rating C	429 kN
Basic static load rating C <sub>0</sub>	830 kN
Fatigue load limit P <sub>u</sub>	91.5 kN
Reference speed	1400 r/min
Limiting speed	1700 r/min
Calculation factor k <sub>r</sub>	0.25
Mass bearing	6.45 kg

NNCL 4930 CV Bearing 2D drawings and 3D CAD  
models