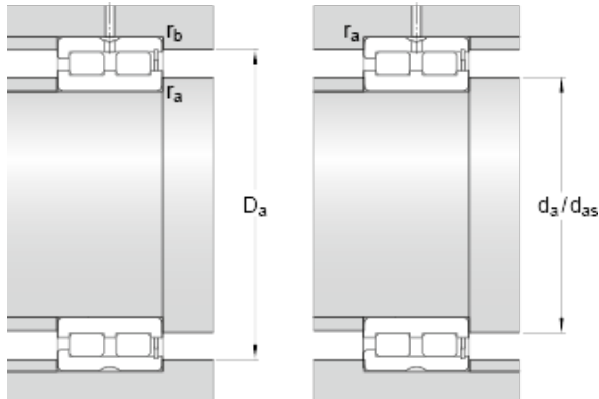




# GF BEARING-SINGAPORE LTD.



400 mm x 500 mm x 100 mm skf NNCF 4880 CV Double row full complement cylindrical roller bearings

Bearing No. NNCF 4880 CV

NNCF 4880 CV Bearing 2D drawings and 3D CAD models

d	400 mm
D	500 mm
B	100 mm
d <sub>1</sub>	434 mm
D <sub>1</sub>	462 mm
b <sub>1</sub>	9.4 mm
K	5 mm
s max.	6 mm
r <sub>1,2</sub> min.	2.1 mm
r <sub>3,4</sub> min.	2.1 mm
d <sub>a</sub> min.	411 mm
d <sub>as</sub>	423 mm
D <sub>a</sub> max.	488 mm
r <sub>a</sub> max.	2 mm
r <sub>b</sub> max.	2 mm
Basic dynamic load rating C	1420 kN
Basic static load rating C <sub>0</sub>	3750 kN
Fatigue load limit P <sub>u</sub>	325 kN
Reference speed	500 r/min
Limiting speed	630 r/min
Calculation factor k <sub>r</sub>	0.2
Mass bearing	46.2 kg