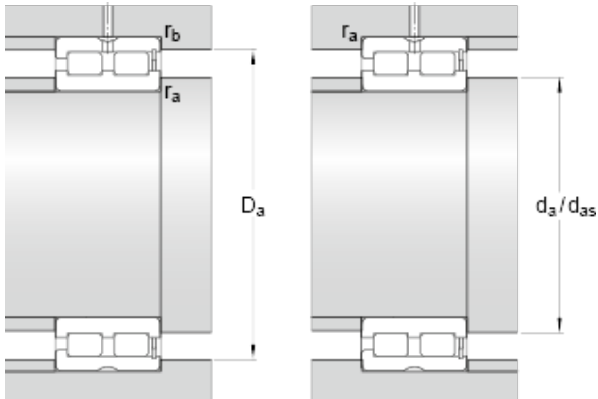




## GF BEARING-SINGAPORE LTD.



380 mm x 480 mm x 100 mm skf NNCF 4876  
CV Double row full complement cylindrical roller  
bearings

Bearing No. NNCF 4876 CV

d	380 mm
D	480 mm
B	100 mm
d <sub>1</sub>	419 mm
D <sub>1</sub>	447 mm
b <sub>1</sub>	9.4 mm
K	5 mm
s max.	6 mm
r <sub>1,2</sub> min.	2.1 mm
r <sub>3,4</sub> min.	2.1 mm
d <sub>a</sub> min.	391 mm
d <sub>as</sub>	405 mm
D <sub>a</sub> max.	469 mm
r <sub>a</sub> max.	2 mm
r <sub>b</sub> max.	2 mm
Basic dynamic load rating C	1400 kN
Basic static load rating C <sub>0</sub>	3650 kN
Fatigue load limit P <sub>u</sub>	315 kN
Reference speed	530 r/min
Limiting speed	670 r/min
Calculation factor k <sub>r</sub>	0.2
Mass bearing	44.8 kg

NNCF 4876 CV Bearing 2D drawings and 3D CAD  
models