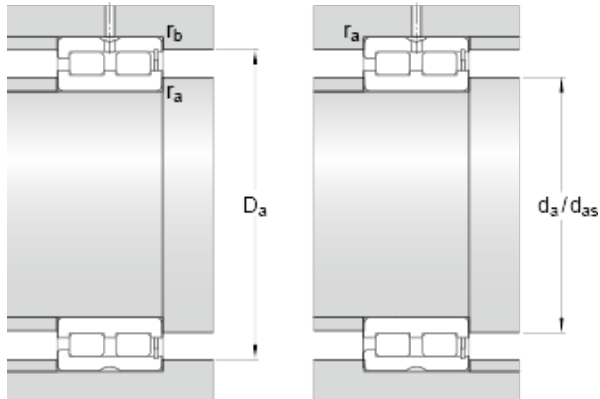




## GF BEARING-SINGAPORE LTD.



190 mm x 290 mm x 136 mm skf NNCF 5038  
CV Double row full complement cylindrical roller  
bearings

Bearing No. NNCF 5038 CV

d	190 mm
D	290 mm
B	136 mm
d <sub>1</sub>	222 mm
D <sub>1</sub>	257.5 mm
b <sub>1</sub>	8 mm
K	4 mm
s max.	8 mm
r <sub>1,2</sub> min.	2.1 mm
r <sub>3,4</sub> min.	2.1 mm
d <sub>a</sub> min.	202 mm
d <sub>as</sub>	216 mm
D <sub>a</sub> max.	280 mm
r <sub>a</sub> max.	2 mm
r <sub>b</sub> max.	2 mm
Basic dynamic load rating C	1470 kN
Basic static load rating C <sub>0</sub>	2600 kN
Fatigue load limit P <sub>u</sub>	280 kN
Reference speed	1000 r/min
Limiting speed	1300 r/min
Calculation factor k <sub>r</sub>	0.5
Mass bearing	31.5 kg

NNCF 5038 CV Bearing 2D drawings and 3D CAD  
models