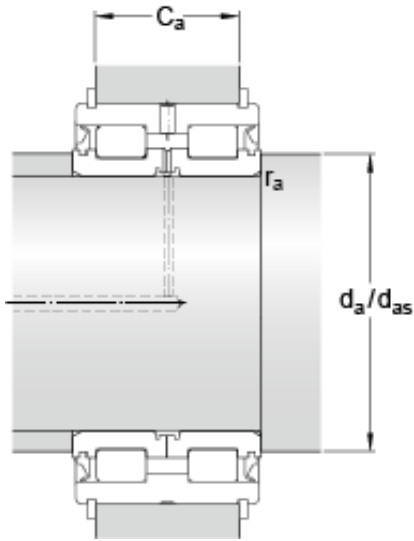




GF BEARING-SINGAPORE LTD.



NNF 5028 B-2LS Bearing 2D drawings and 3D CAD models

140 mm x 210 mm x 95 mm skf NNF 5028
B-2LS Double row full complement cylindrical
roller bearings

Bearing No. NNF 5028 B-2LS

d	140 mm
D	210 mm
B	95 mm
C	94 mm
d ₁	167 mm
D ₃	206 mm
C ₁	83.2 mm
+	0.2 mm
C ₂	5.4 mm
b	5.2 mm
b ₁	7 mm
K	4 mm
r min.	1.8 mm
r _{3,4} min.	0.6 mm
d _a min.	147 mm
d _{as}	162 mm
C _{a1}	77 mm
-	0.2 mm
C _{a2}	73 mm
-	0.2 mm
r _a max.	1.5 mm
Basic dynamic load rating C	644 kN
Basic static load rating C ₀	1120 kN
Fatigue load limit P _u	127 kN
Limiting speed	600 r/min



GF BEARING-SINGAPORE LTD.

Calculation factor k_r	0.4
Mass bearing	11 kg
Snap ring Seeger	SW 210
Snap ring in accordance with DIN 471	210x5