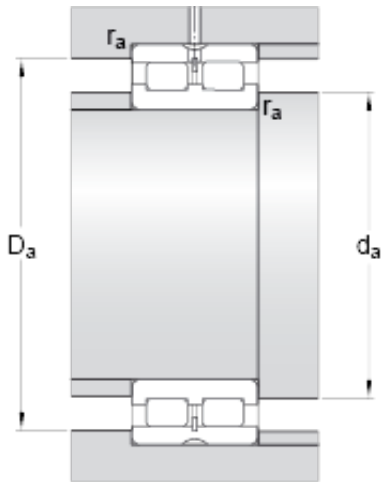




## GF BEARING-SINGAPORE LTD.



260 mm x 320 mm x 60 mm skf NNCL 4852 CV  
Double row full complement cylindrical roller  
bearings

Bearing No. NNCL 4852 CV

d	260 mm
D	320 mm
B	60 mm
d <sub>1</sub>	283.5 mm
E	304.2 mm
b <sub>1</sub>	8 mm
K	4 mm
s max.	4 mm
r <sub>1,2</sub> min.	2 mm
d <sub>a</sub> min.	269 mm
D <sub>a</sub> max.	311 mm
r <sub>a</sub> max.	2 mm
Basic dynamic load rating C	561 kN
Basic static load rating C <sub>0</sub>	1400 kN
Fatigue load limit P <sub>u</sub>	132 kN
Reference speed	800 r/min
Limiting speed	1000 r/min
Calculation factor k <sub>r</sub>	0.2
Mass bearing	10.6 kg

NNCL 4852 CV Bearing 2D drawings and 3D CAD  
models