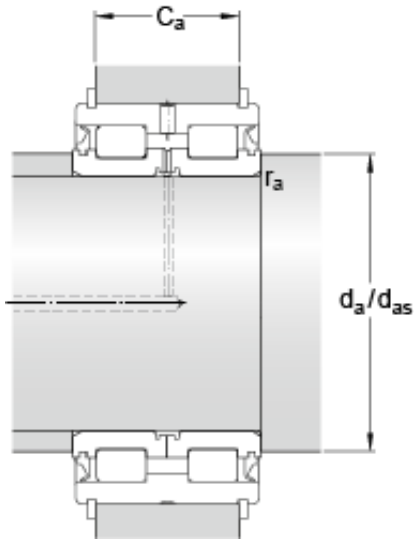




GF BEARING-SINGAPORE LTD.



NNF 5030 B-2LS Bearing 2D drawings and 3D CAD models

150 mm x 225 mm x 100 mm skf NNF 5030 B-2LS Double row full complement cylindrical roller bearings

Bearing No. NNF 5030 B-2LS

d	150 mm
D	225 mm
B	100 mm
C	99 mm
d ₁	177.65 mm
D ₃	221 mm
C ₁	87.2 mm
+	0.2 mm
C ₂	5.9 mm
b	5.2 mm
b ₁	7 mm
K	4 mm
r min.	2 mm
r _{3,4} min.	0.6 mm
d _a min.	157 mm
d _{as}	172 mm
C _{a1}	81 mm
-	0.2 mm
C _{a2}	77 mm
-	0.2 mm
r _a max.	2 mm
Basic dynamic load rating C	748 kN
Basic static load rating C ₀	1290 kN
Fatigue load limit P _u	143 kN
Limiting speed	560 r/min



GF BEARING-SINGAPORE LTD.

Calculation factor k_r	0.4
Mass bearing	13.5 kg
Snap ring Seeger	SW 225
Snap ring in accordance with DIN 471	225x5