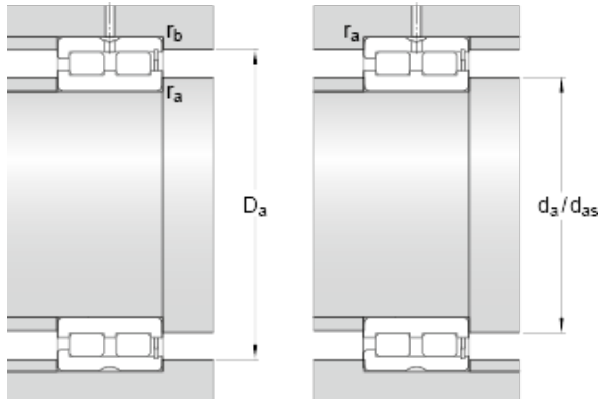




GF BEARING-SINGAPORE LTD.



180 mm x 225 mm x 45 mm skf NNCF 4836 CV
Double row full complement cylindrical roller bearings

Bearing No. NNCF 4836 CV

d	180 mm
D	225 mm
B	45 mm
d ₁	200 mm
D ₁	208.5 mm
b ₁	7 mm
K	4 mm
s max.	3 mm
r _{1,2} min.	1.1 mm
r _{3,4} min.	1.1 mm
d _a min.	186 mm
d _{as}	193 mm
D _a max.	219 mm
r _a max.	1 mm
r _b max.	1 mm
Basic dynamic load rating C	297 kN
Basic static load rating C ₀	695 kN
Fatigue load limit P _u	69.5 kN
Reference speed	1200 r/min
Limiting speed	1500 r/min
Calculation factor k _r	0.2
Mass bearing	4.2 kg

NNCF 4836 CV Bearing 2D drawings and 3D CAD models