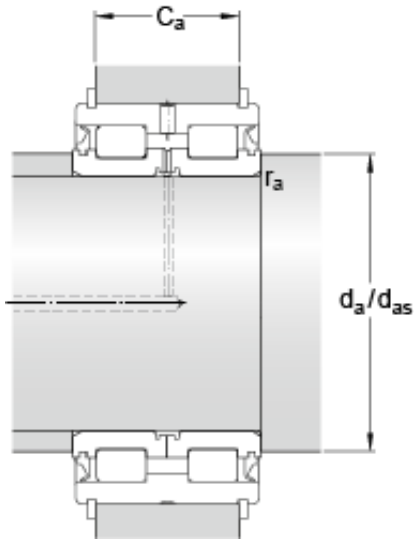




## GF BEARING-SINGAPORE LTD.



319430 B-2LS Bearing 2D drawings and 3D CAD models

150 mm x 210 mm x 80 mm skf 319430 B-2LS  
Double row full complement cylindrical roller  
bearings

Bearing No. 319430 B-2LS

d	150 mm
D	210 mm
B	80 mm
C	79 mm
d <sub>1</sub>	170 mm
D <sub>3</sub>	206 mm
C <sub>1</sub>	71.2 mm
+	0.2 mm
C <sub>2</sub>	3.9 mm
b	5.2 mm
b <sub>1</sub>	7 mm
K	4 mm
r min.	1.8 mm
r <sub>3,4</sub> min.	0.6 mm
d <sub>a</sub> min.	157 mm
d <sub>as</sub>	166 mm
C <sub>a1</sub>	65 mm
-	0.2 mm
C <sub>a2</sub>	61 mm
-	0.2 mm
r <sub>a</sub> max.	1.5 mm
Basic dynamic load rating C	484 kN
Basic static load rating C <sub>0</sub>	915 kN
Fatigue load limit P <sub>u</sub>	100 kN
Limiting speed	600 r/min



## GF BEARING-SINGAPORE LTD.

Calculation factor $k_r$	0.4
Mass bearing	8.4 kg
Snap ring Seeger	SW 210
Snap ring in accordance with DIN 471	210x5