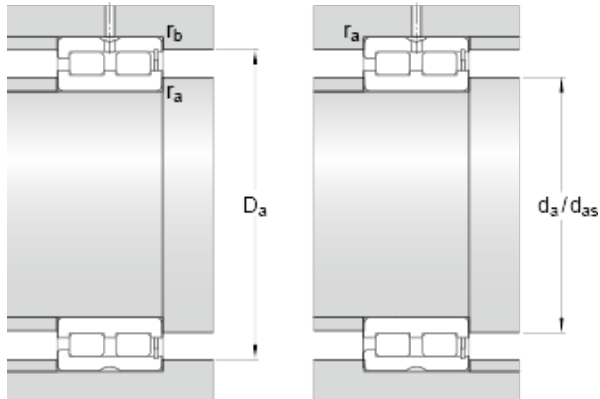




GF BEARING-SINGAPORE LTD.



20 mm x 42 mm x 30 mm skf NNCF 5004 CV
Double row full complement cylindrical roller bearings

Bearing No. NNCF 5004 CV

d	20 mm
D	42 mm
B	30 mm
d ₁	28.4 mm
D ₁	33.2 mm
b ₁	4.5 mm
K	3 mm
s max.	1 mm
r _{1,2} min.	0.6 mm
r _{3,4} min.	0.3 mm
d _a min.	23.2 mm
d _{as}	25.6 mm
D _a max.	38.7 mm
r _a max.	0.5 mm
r _b max.	0.3 mm
Basic dynamic load rating C	52.3 kN
Basic static load rating C ₀	57 kN
Fatigue load limit P _u	6.2 kN
Reference speed	8500 r/min
Limiting speed	10000 r/min
Calculation factor k _r	0.5
Mass bearing	0.2 kg

NNCF 5004 CV Bearing 2D drawings and 3D CAD models