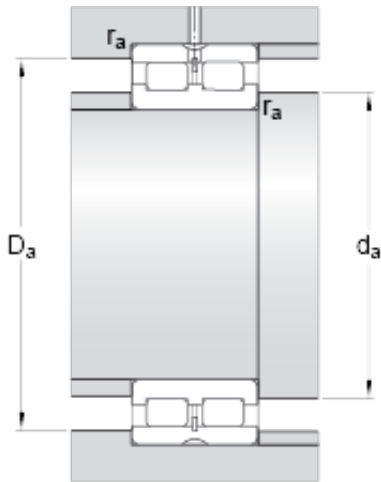




GF BEARING-SINGAPORE LTD.



100 mm x 140 mm x 40 mm skf NNCL 4920 CV
Double row full complement cylindrical roller
bearings

Bearing No. NNCL 4920 CV

d	100 mm
D	140 mm
B	40 mm
d ₁	116.5 mm
E	129.6 mm
b ₁	5 mm
K	3.5 mm
s max.	2 mm
r _{1,2} min.	1.1 mm
d _a min.	106 mm
D _a max.	134 mm
r _a max.	1 mm
Basic dynamic load rating C	209 kN
Basic static load rating C ₀	400 kN
Fatigue load limit P _u	46.5 kN
Reference speed	2000 r/min
Limiting speed	2600 r/min
Calculation factor k _r	0.25
Mass bearing	1.9 kg

NNCL 4920 CV Bearing 2D drawings and 3D CAD models