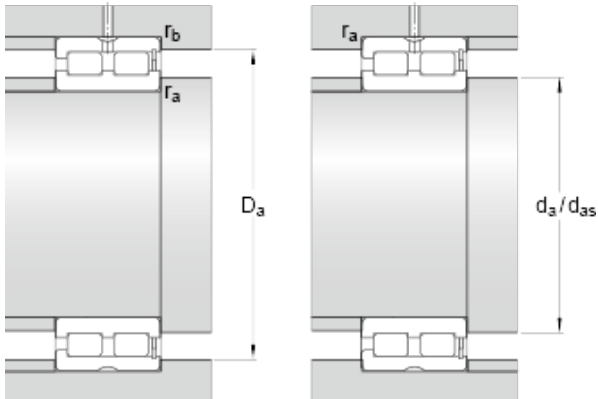




GF BEARING-SINGAPORE LTD.



55 mm x 90 mm x 46 mm skf NNCF 5011 CV
Double row full complement cylindrical roller bearings

Bearing No. NNCF 5011 CV

NNCF 5011 CV Bearing 2D drawings and 3D CAD models

d	55 mm
D	90 mm
B	46 mm
d ₁	68.5 mm
D ₁	78.7 mm
b ₁	4.5 mm
K	3.5 mm
s max.	1.5 mm
r _{1,2} min.	1.1 mm
r _{3,4} min.	0.6 mm
d _a min.	61 mm
d _{as}	64.8 mm
D _a max.	84 mm
r _a max.	1 mm
r _b max.	0.5 mm
Basic dynamic load rating C	190 kN
Basic static load rating C ₀	280 kN
Fatigue load limit P _u	34.5 kN
Reference speed	3400 r/min
Limiting speed	4300 r/min
Calculation factor k _r	0.5
Mass bearing	1.16 kg