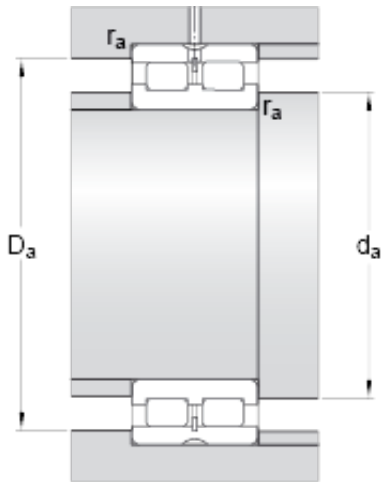




## GF BEARING-SINGAPORE LTD.



280 mm x 380 mm x 100 mm skf NNCL 4956  
CV Double row full complement cylindrical roller  
bearings

Bearing No. NNCL 4956 CV

d	280 mm
D	380 mm
B	100 mm
d <sub>1</sub>	317 mm
E	353.34 mm
b <sub>1</sub>	9.4 mm
K	5 mm
s max.	6 mm
r <sub>1,2</sub> min.	2.1 mm
d <sub>a</sub> min.	293 mm
D <sub>a</sub> max.	368 mm
r <sub>a</sub> max.	2 mm
Basic dynamic load rating C	1210 kN
Basic static load rating C <sub>0</sub>	2700 kN
Fatigue load limit P <sub>u</sub>	255 kN
Reference speed	700 r/min
Limiting speed	900 r/min
Calculation factor k <sub>r</sub>	0.25
Mass bearing	33 kg

NNCL 4956 CV Bearing 2D drawings and 3D CAD  
models