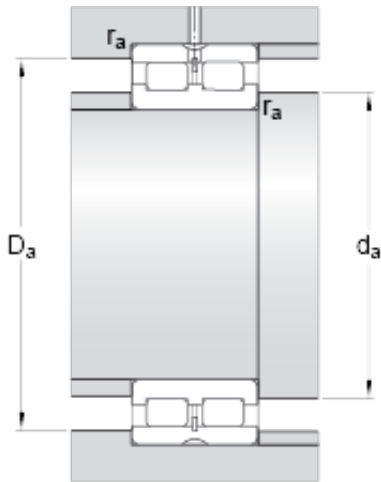




GF BEARING-SINGAPORE LTD.



NNCL 4922 CV Bearing 2D drawings and 3D CAD models

110 mm x 150 mm x 40 mm skf NNCL 4922 CV
Double row full complement cylindrical roller
bearings

Bearing No. NNCL 4922 CV

d	110 mm
D	150 mm
B	40 mm
d ₁	125 mm
E	138.2 mm
b ₁	6 mm
K	3.5 mm
s max.	2 mm
r _{1,2} min.	1.1 mm
d _a min.	116 mm
D _a max.	144 mm
r _a max.	1 mm
Basic dynamic load rating C	220 kN
Basic static load rating C ₀	430 kN
Fatigue load limit P _u	49 kN
Reference speed	1900 r/min
Limiting speed	2400 r/min
Calculation factor k _r	0.25
Mass bearing	2.1 kg