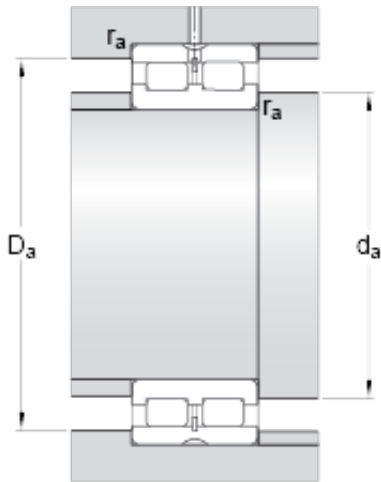




## GF BEARING-SINGAPORE LTD.



NNCL 4844 CV Bearing 2D drawings and 3D CAD models

220 mm x 270 mm x 50 mm skf NNCL 4844 CV  
Double row full complement cylindrical roller bearings

Bearing No. NNCL 4844 CV

d	220 mm
D	270 mm
B	50 mm
d <sub>1</sub>	241 mm
E	256.5 mm
b <sub>1</sub>	7 mm
K	4 mm
s max.	4 mm
r <sub>1,2</sub> min.	1.5 mm
d <sub>a</sub> min.	227 mm
D <sub>a</sub> max.	263 mm
r <sub>a</sub> max.	1.5 mm
Basic dynamic load rating C	380 kN
Basic static load rating C <sub>0</sub>	865 kN
Fatigue load limit P <sub>u</sub>	85 kN
Reference speed	1000 r/min
Limiting speed	1200 r/min
Calculation factor k <sub>r</sub>	0.2
Mass bearing	6.2 kg