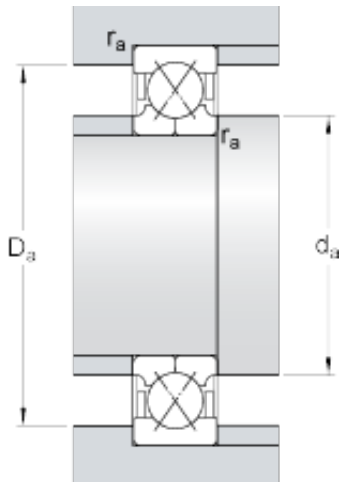




## GF BEARING-SINGAPORE LTD.



25 mm x 52 mm x 15 mm skf QJ 205 MA four-point contact ball bearings

Bearing No. QJ 205 MA

QJ 205 MA Bearing 2D drawings and 3D CAD models

|   |             |
|---|-------------|
| d                                       | 25 mm       |
| D                                       | 52 mm       |
| B                                       | 15 mm       |
| d <sub>1</sub>                          | 31.5 mm     |
| D <sub>1</sub>                          | 43 mm       |
| a                                       | 27 mm       |
| r <sub>1,2</sub> min.                   | 1 mm        |
| d <sub>a</sub> min.                     | 30.6 mm     |
| D <sub>a</sub> max.                     | 46.4 mm     |
| r <sub>a</sub> max.                     | 1 mm        |
| Basic dynamic load rating C             | 27 kN       |
| Basic static load rating C <sub>0</sub> | 21.2 kN     |
| Fatigue load limit P <sub>u</sub>       | 0.9 kN      |
| Limiting speed                          | 22000 r/min |
| Calculation factor A                    | 0.00126     |
| Calculation factor e                    | 0.95        |
| Calculation factor X                    | 0.6         |
| Calculation factor Y <sub>0</sub>       | 0.58        |
| Calculation factor Y <sub>1</sub>       | 0.66        |
| Calculation factor Y <sub>2</sub>       | 1.07        |
| Mass bearing                            | 0.16 kg     |