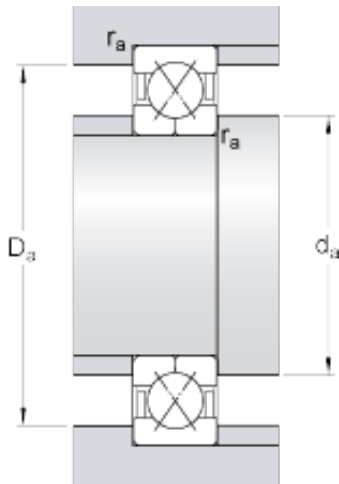




GF BEARING-SINGAPORE LTD.



85 mm x 130 mm x 22 mm skf QJ 1017
N2MA/C4 four-point contact ball bearings

Bearing No. QJ 1017 N2MA/C4

QJ 1017 N2MA/C4 Bearing 2D drawings and 3D CAD models

d	85 mm
D	130 mm
B	22 mm
d ₁	100 mm
D ₁	117 mm
a	75 mm
h	5 mm
b	6.5 mm
r ₀	0.5 mm
r _{1,2} min.	1.1 mm
d _a min.	92 mm
D _a max.	123 mm
r _a max.	1 mm
Basic dynamic load rating C	99.5 kN
Basic static load rating C ₀	114 kN
Fatigue load limit P _u	4.65 kN
Limiting speed	8000 r/min
Calculation factor A	0.0379
Calculation factor e	0.95
Calculation factor X	0.6
Calculation factor Y ₀	0.58
Calculation factor Y ₁	0.66
Calculation factor Y ₂	1.07
Mass bearing	1.1 kg