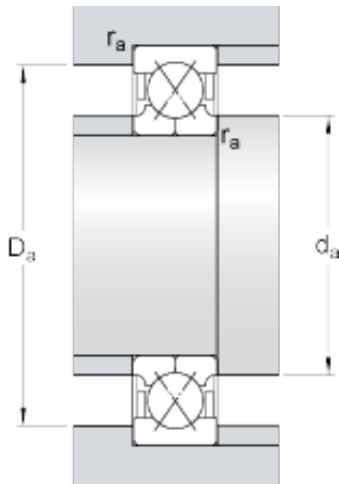




GF BEARING-SINGAPORE LTD.



70 mm x 150 mm x 35 mm skf QJ 314 N2MA
four-point contact ball bearings

Bearing No. QJ 314 N2MA

QJ 314 N2MA Bearing 2D drawings and 3D CAD models

d	70 mm
D	150 mm
B	35 mm
d ₁	89 mm
D ₁	123 mm
a	77 mm
h	10.1 mm
b	8.5 mm
r ₀	2 mm
r _{1,2} min.	2.1 mm
d _a min.	82 mm
D _a max.	138 mm
r _a max.	2 mm
Basic dynamic load rating C	200 kN
Basic static load rating C ₀	180 kN
Fatigue load limit P _u	7.35 kN
Limiting speed	8000 r/min
Calculation factor A	0.0954
Calculation factor e	0.95
Calculation factor X	0.6
Calculation factor Y ₀	0.58
Calculation factor Y ₁	0.66
Calculation factor Y ₂	1.07
Mass bearing	3.15 kg