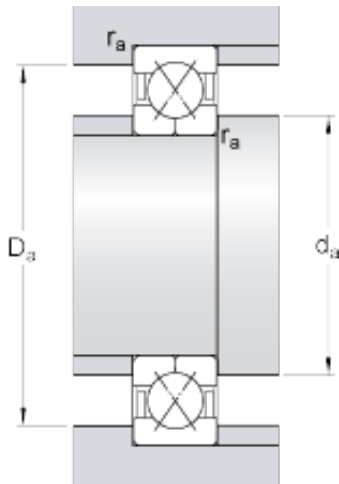




GF BEARING-SINGAPORE LTD.



460 mm x 830 mm x 165 mm skf QJ 1292
N2MA four-point contact ball bearings

Bearing No. QJ 1292 N2MA

QJ 1292 N2MA Bearing 2D drawings and 3D CAD models

d	460 mm
D	830 mm
B	165 mm
d ₁	602 mm
D ₁	688 mm
a	645 mm
h	20.5 mm
b	32 mm
r ₀	3 mm
r _{1,2} min.	7.5 mm
d _a min.	496 mm
D _a max.	794 mm
r _a max.	6 mm
Basic dynamic load rating C	1530 kN
Basic static load rating C ₀	4250 kN
Fatigue load limit P _u	69.5 kN
Limiting speed	1100 r/min
Calculation factor A	104
Calculation factor e	1.34
Calculation factor X	0.54
Calculation factor Y ₀	0.44
Calculation factor Y ₁	0.47
Calculation factor Y ₂	0.81
Mass bearing	415 kg