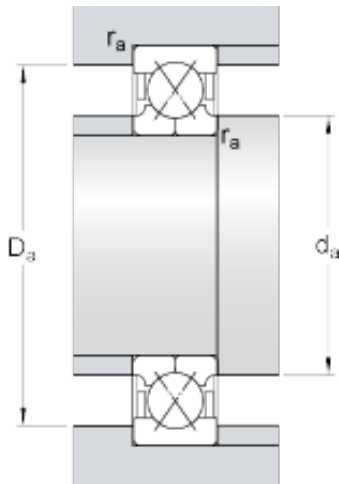




## GF BEARING-SINGAPORE LTD.



25 mm x 62 mm x 17 mm skf QJ 305 N2MA  
four-point contact ball bearings

Bearing No. QJ 305 N2MA

QJ 305 N2MA Bearing 2D drawings and 3D CAD models

d	25 mm
D	62 mm
B	17 mm
d <sub>1</sub>	34 mm
D <sub>1</sub>	49 mm
a	30 mm
h	3.5 mm
b	4.5 mm
r <sub>0</sub>	0.5 mm
r <sub>1,2</sub> min.	1.1 mm
d <sub>a</sub> min.	32 mm
D <sub>a</sub> max.	55 mm
r <sub>a</sub> max.	1 mm
Basic dynamic load rating C	42.5 kN
Basic static load rating C <sub>0</sub>	30 kN
Fatigue load limit P <sub>u</sub>	1.27 kN
Limiting speed	20000 r/min
Calculation factor A	0.00278
Calculation factor e	0.95
Calculation factor X	0.6
Calculation factor Y <sub>0</sub>	0.58
Calculation factor Y <sub>1</sub>	0.66
Calculation factor Y <sub>2</sub>	1.07
Mass bearing	0.29 kg