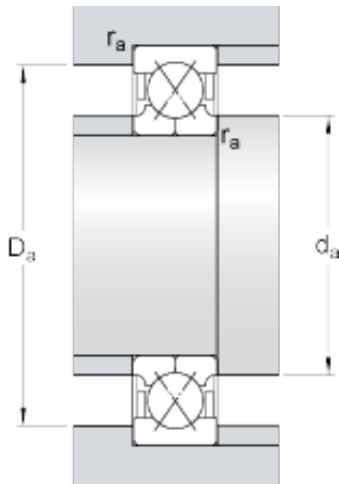




GF BEARING-SINGAPORE LTD.



25 mm x 52 mm x 15 mm skf QJ 205 N2MA
four-point contact ball bearings

Bearing No. QJ 205 N2MA

QJ 205 N2MA Bearing 2D drawings and 3D CAD models

d	25 mm
D	52 mm
B	15 mm
d ₁	31.5 mm
D ₁	43 mm
a	27 mm
h	3 mm
b	4.5 mm
r ₀	0.5 mm
r _{1,2} min.	1 mm
d _a min.	30.6 mm
D _a max.	46.4 mm
r _a max.	1 mm
Basic dynamic load rating C	27 kN
Basic static load rating C ₀	21.2 kN
Fatigue load limit P _u	0.9 kN
Limiting speed	22000 r/min
Calculation factor A	0.00126
Calculation factor e	0.95
Calculation factor X	0.6
Calculation factor Y ₀	0.58
Calculation factor Y ₁	0.66
Calculation factor Y ₂	1.07
Mass bearing	0.16 kg