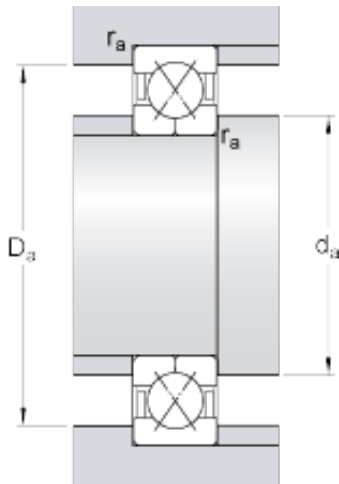




## GF BEARING-SINGAPORE LTD.



420 mm x 560 mm x 65 mm skf QJ 1984 MA  
four-point contact ball bearings

Bearing No. QJ 1984 MA

d	420 mm
D	560 mm
B	65 mm
d <sub>1</sub>	468 mm
D <sub>1</sub>	511 mm
a	343 mm
r <sub>1,2</sub> min.	4 mm
d <sub>a</sub> min.	438 mm
D <sub>a</sub> max.	542 mm
r <sub>a</sub> max.	3 mm
Basic dynamic load rating C	637 kN
Basic static load rating C <sub>0</sub>	1600 kN
Fatigue load limit P <sub>u</sub>	30.5 kN
Limiting speed	1600 r/min
Calculation factor A	6.48
Calculation factor e	0.95
Calculation factor X	0.6
Calculation factor Y <sub>0</sub>	0.58
Calculation factor Y <sub>1</sub>	0.66
Calculation factor Y <sub>2</sub>	1.07
Mass bearing	51 kg

QJ 1984 MA Bearing 2D drawings and 3D CAD models