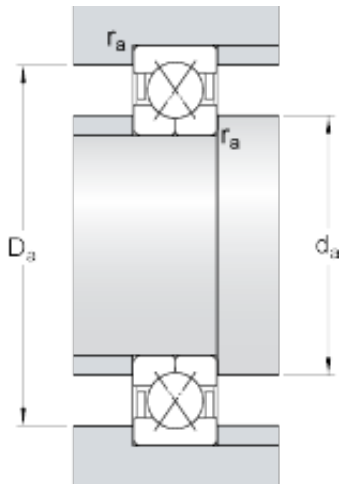




GF BEARING-SINGAPORE LTD.



440 mm x 650 mm x 94 mm skf QJ 1088 N2MA
four-point contact ball bearings

Bearing No. QJ 1088 N2MA

QJ 1088 N2MA Bearing 2D drawings and 3D CAD models

d	440 mm
D	650 mm
B	94 mm
d ₁	513 mm
D ₁	577 mm
a	382 mm
h	15.5 mm
b	20 mm
r ₀	3 mm
r _{1,2} min.	6 mm
d _a min.	468 mm
D _a max.	622 mm
r _a max.	5 mm
Basic dynamic load rating C	995 kN
Basic static load rating C ₀	2500 kN
Fatigue load limit P _u	45.5 kN
Limiting speed	1400 r/min
Calculation factor A	17.7
Calculation factor e	0.95
Calculation factor X	0.6
Calculation factor Y ₀	0.58
Calculation factor Y ₁	0.66
Calculation factor Y ₂	1.07
Mass bearing	115 kg