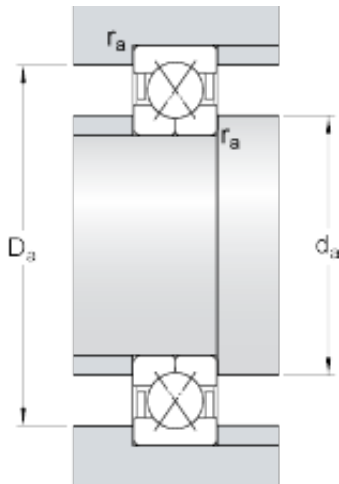




GF BEARING-SINGAPORE LTD.



420 mm x 760 mm x 150 mm skf QJ 1284
N2MA four-point contact ball bearings

Bearing No. QJ 1284 N2MA

QJ 1284 N2MA Bearing 2D drawings and 3D CAD models

d	420 mm
D	760 mm
B	150 mm
d ₁	549 mm
D ₁	631 mm
a	590 mm
h	20.5 mm
b	25 mm
r ₀	3 mm
r _{1,2} min.	7.5 mm
d _a min.	456 mm
D _a max.	724 mm
r _a max.	6 mm
Basic dynamic load rating C	1430 kN
Basic static load rating C ₀	3750 kN
Fatigue load limit P _u	64 kN
Limiting speed	1300 r/min
Calculation factor A	80.1
Calculation factor e	1.34
Calculation factor X	0.54
Calculation factor Y ₀	0.44
Calculation factor Y ₁	0.47
Calculation factor Y ₂	0.81
Mass bearing	315 kg