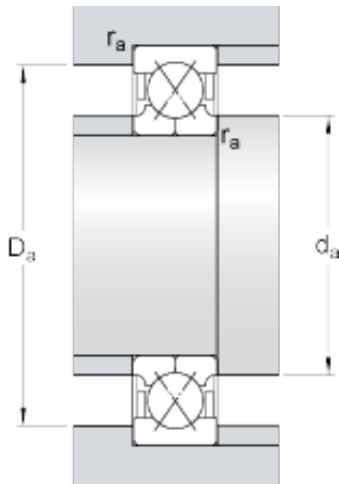




GF BEARING-SINGAPORE LTD.



95 mm x 170 mm x 32 mm skf QJ 219 N2PHAS
four-point contact ball bearings

Bearing No. QJ 219 N2PHAS

QJ 219 N2PHAS Bearing 2D drawings and 3D CAD models

d	95 mm
D	170 mm
B	32 mm
d ₁	120 mm
D ₁	145 mm
a	93 mm
h	8.1 mm
b	6.5 mm
r ₀	1 mm
r _{1,2} min.	2.1 mm
d _a min.	107 mm
D _a max.	158 mm
r _a max.	2 mm
Basic dynamic load rating C	212 kN
Basic static load rating C ₀	232 kN
Fatigue load limit P _u	8.5 kN
Limiting speed	6700 r/min
Calculation factor A	0.138
Calculation factor e	0.95
Calculation factor X	0.6
Calculation factor Y ₀	0.58
Calculation factor Y ₁	0.66
Calculation factor Y ₂	1.07
Mass bearing	3.35 kg