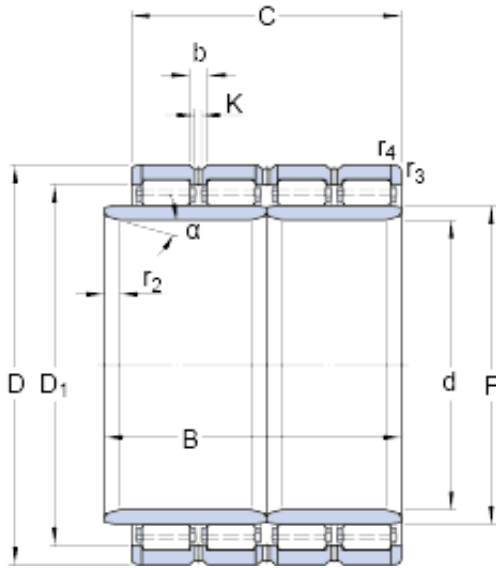




GF BEARING-SINGAPORE LTD.

820 mm x 1100 mm x 745 mm skf BC4B
316341/HA4 Four-row cylindrical roller bearings

Bearing No. BC4B 316341/HA4



BC4B 316341/HA4 Bearing 2D drawings and 3D CAD models

Size	1100x820x745 mm
Bore Diameter	1100 mm
Outer Diameter	820 mm
Width	745 mm
d	820 mm
D	1100 mm
B	745 mm
C	720 mm
D ₁	1010 mm
D ₁	1010 mm
F	892 mm
b	44 mm
K	20 mm
r _{1,2} - min.	23 mm
	20 °
r _{3,4} - min.	7.5 mm
Basic dynamic load rating - C	16800 kN
Basic static load rating - C ₀	57000 kN
Fatigue load limit - P _u	3750 kN
Calculation factor - k _r	620
Mass bearing	2000 kg
Design variant/feature	BC4.19/W33WI
D ₁	1010 mm
r _{1,2} min.	22 mm



GF BEARING-SINGAPORE LTD.

	20 °
$r_{3,4}$ min.	3 mm
Basic dynamic load rating C	21200 kN
Basic static load rating C_0	57000 kN
Fatigue load limit P_u	3750 kN
Calculation factor k_r	0