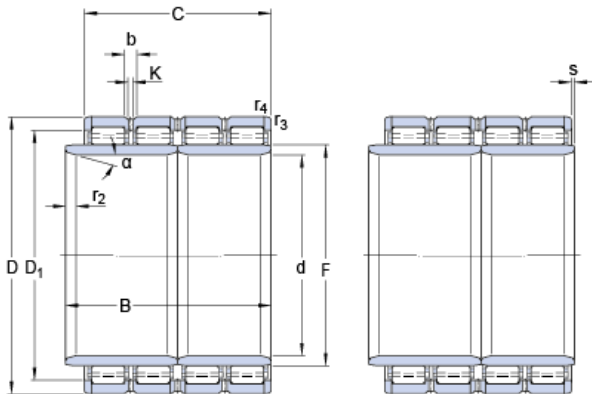




GF BEARING-SINGAPORE LTD.



820 mm x 1130 mm x 825 mm skf 319313 Four-row cylindrical roller bearings

Bearing No. 319313

Design variant/feature	BC4.19/W33WI
d	820 mm
D	1130 mm
B	825 mm
C	800 mm
D ₁	1031 mm
F	903 mm
b	35 mm
K	16 mm
r _{1,2} min.	23 mm
	20 °
r _{3,4} min.	6 mm
Basic dynamic load rating C	24200 kN
Basic static load rating C ₀	68000 kN
Fatigue load limit P _u	4400 kN
Calculation factor k _r	700
Mass bearing	2570 kg

319313 Bearing 2D drawings and 3D CAD models