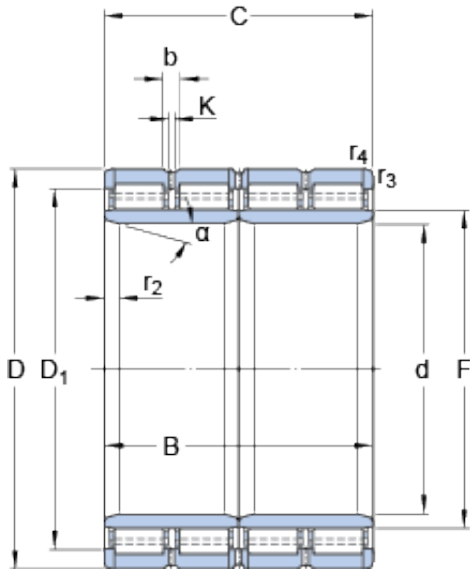




# GF BEARING-SINGAPORE LTD.

## 800 mm x 1080 mm x 700 mm skf 315599 A Four-row cylindrical roller bearings

Bearing No. 315599 A



315599 A Bearing 2D drawings and 3D CAD models

Size	1080x800x700 mm
Bore Diameter	1080 mm
Outer Diameter	800 mm
Width	700 mm
d	800 mm
D	1080 mm
B	700 mm
C	700 mm
D <sub>1</sub>	991.1 mm
F	878 mm
b	30 mm
K	15 mm
r <sub>1,2</sub> - min.	20 mm
	20 °
r <sub>3,4</sub> - min.	3 mm
Basic dynamic load rating - C	19800 kN
Basic static load rating - C <sub>0</sub>	58500 kN
Fatigue load limit - P <sub>u</sub>	3800 kN
Calculation factor - k <sub>r</sub>	660
Mass bearing	1950 kg
Design variant/feature	BC4.10/W33WI
D <sub>1</sub>	991.1 mm
r <sub>1,2</sub> min.	20 mm
	20 °



## GF BEARING-SINGAPORE LTD.

$r_{3,4}$ min.	3 mm
Basic dynamic load rating C	19800 kN
Basic static load rating $C_0$	58500 kN
Fatigue load limit $P_u$	3800 kN
Calculation factor $k_r$	660