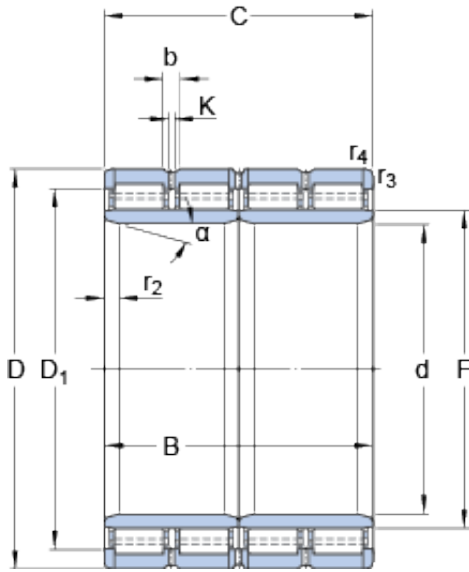




GF BEARING-SINGAPORE LTD.

850 mm x 1150 mm x 840 mm skf 315826 A Four-row cylindrical roller bearings

Bearing No. 315826 A



315826 A Bearing 2D drawings and 3D CAD models

Size	1150x850x840 mm
Bore Diameter	1150 mm
Outer Diameter	850 mm
Width	840 mm
d	850 mm
D	1150 mm
B	840 mm
C	840 mm
D ₁	1056 mm
F	928 mm
b	22.3 mm
K	12 mm
r _{1,2} - min.	23 mm
	20 °
r _{3,4} - min.	4 mm
Basic dynamic load rating - C	25500 kN
Basic static load rating - C ₀	75000 kN
Fatigue load limit - P _u	4800 kN
Calculation factor - k _r	740
Mass bearing	2570 kg
Design variant/feature	BC4.10/W33WI
D ₁	1056 mm
r _{1,2} min.	23 mm
	20 °



GF BEARING-SINGAPORE LTD.

$r_{3,4}$ min.	4 mm
Basic dynamic load rating C	25500 kN
Basic static load rating C_0	75000 kN
Fatigue load limit P_u	4800 kN
Calculation factor k_r	740