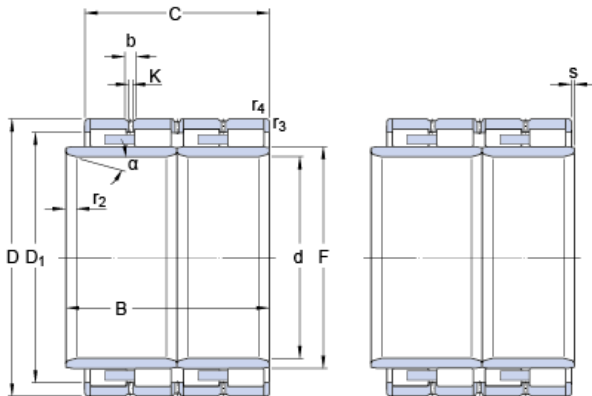




GF BEARING-SINGAPORE LTD.



410 mm x 560 mm x 420 mm skf BC4B 320612
Four-row cylindrical roller bearings

Bearing No. BC4B 320612

Design variant/feature	BC4.18/W33GWI
d	410 mm
D	560 mm
B	420 mm
C	400 mm
D ₁	514.3 mm
F	450 mm
b	16.7 mm
K	9 mm
r _{1,2} min.	23 mm
	20 °
r _{3,4} min.	2 mm
Basic dynamic load rating C	5940 kN
Basic static load rating C ₀	14600 kN
Fatigue load limit P _u	1250 kN
Calculation factor k _r	610
Mass bearing	275 kg

BC4B 320612 Bearing 2D drawings and 3D CAD models