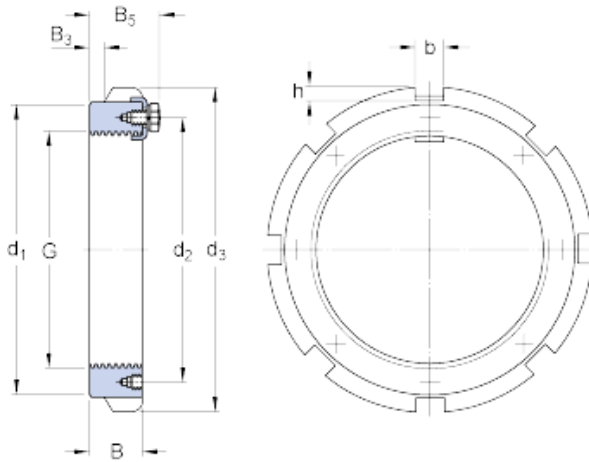




# GF BEARING-SINGAPORE LTD.



skf HME 30/1060 Lock nuts requiring a keyway  
(metric)

Bearing No. HME 30/1060

G	Tr 1060x8
d <sub>3</sub>	1200 mm
B	100 mm
d <sub>1</sub>	1145 mm
d <sub>2</sub>	1100 mm
B <sub>3</sub>	25 mm
B <sub>5</sub>	125 mm
b	60 mm
h	25 mm
Mass lock nut	149 kg
Associated eyebolt for handling	M 16
Lock washer / Locking clip	MS 30/1000

HME 30/1060 Bearing 2D drawings and 3D CAD models