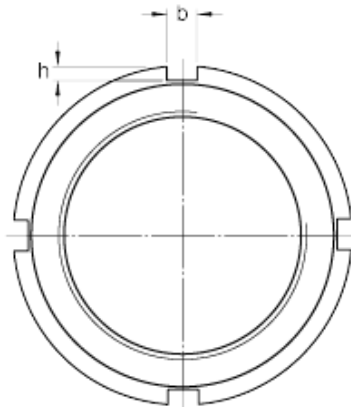
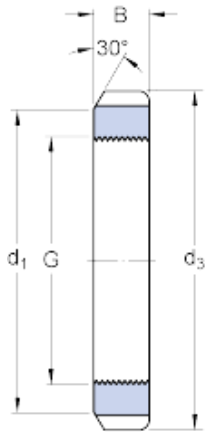




GF BEARING-SINGAPORE LTD.



skf KML 38 Lock nuts requiring a keyway
(metric)

Bearing No. KML 38

G	M 190x3
d ₃	220 mm
B	28 mm
d ₁	210 mm
b	16 mm
h	5 mm
Axial static load carrying capacity	475 kN
Mass lock nut	1.85 kg
Associated spanner	TMFN 30-40

KML 38 Bearing 2D drawings and 3D CAD models