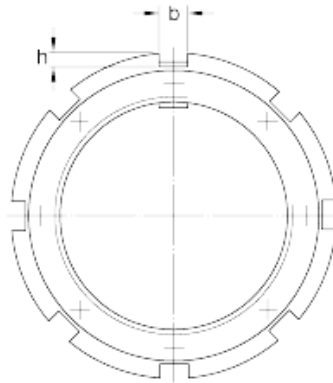
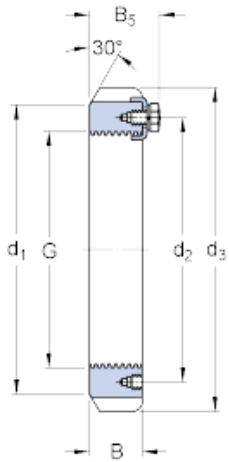




GF BEARING-SINGAPORE LTD.



skf HM 31/670 Lock nuts requiring a keyway
(metric)

Bearing No. HM 31/670

G	Tr 670x6
d ₃	850 mm
B	106 mm
d ₁	775 mm
d ₂	730 mm
B ₅	131 mm
b	50 mm
h	28 mm
Mass lock nut	167 kg
Associated spanner	TMFN 600-750
Associated eyebolt for handling	M 16

HM 31/670 Bearing 2D drawings and 3D CAD models